

# MATERIAL SPECIFICATIONS

U.S. standard sheet gauge to 7 gauge.  
Dimensions in inches, weights in pounds. WR<sup>2</sup> in lb.-ft<sup>2</sup>.

SHAFTS AND BEARINGS														MOTOR LIMITS											
Size	Arrangements 1, 3, 3T, 3R, 3L										Arrangement 3V				Arrangement 3T		Arr. 3R,3L		Arr. 3V		Arrangement 4				
	Shaft Diameter			Bearings							Shaft		Bearings				Max. motor frame		Max. motor frame C-NW	Max. motor frame C-NW	Max. motor frame C-NW	Max. motor frame			
	Class 1	Class 2	Class 3	Class 1		Class 2		Class 3			Class 1,2	Class 1		Class 2		Class 1,2	Class 3	Class 2				Class 3	Class 2	Class 3	
				Inlet	Drive	Inlet	Drive	Inlet	Drive	Inlet		Drive	Inlet	Drive	Inlet				Drive						
12*	1	1 3/16	—	A	A	B	B	—	—	—	—	—	—	—	—	—	—	—	—	—	—	—	56 - 184T	—	
13*	1	1 3/16	—	A	A	B	B	—	—	—	—	—	—	—	—	—	—	—	—	—	—	—	143T - 184T	—	
15*	1	1 3/16	—	A	A	B	B	—	—	—	—	—	—	—	—	—	—	—	—	—	—	—	143T - 215T	—	
16	1	1	1 3/16	A	A	A	A	A	E	1 3/16	E	E	F	F	213T	215T	18 1/4	213T	17 1/4	213T	15 1/2	182T - 256T	182T - 256T		
18	1	1 3/16	1 7/16	A	A	A	E	A	F	1 3/16	E	E*	F	F	215T	256T	19 3/8	215T	18 3/8	215T	17 5/8	182T - 256T	182T - 286TS		
20	1 3/16	1 3/16	1 7/16	A	A	A	F	A	F	1 3/16	E	E*	F	F	254T	284T	20 3/4	254T	19 3/4	254T	19	143T - 256T	143T - 286TS		
22	1 7/16	1 7/16	1 7/16	A	A	A	F	A	F	1 7/16	E	E*	F	F	256T	286T	22 1/8	256T	21 1/8	256T	20 3/8	143T - 286TS	143T - 286TS		
24	1 7/16	1 7/16	1 1 1/16	A	A	A	F	A	F	1 7/16	E	E*	F	F	284T	324T	24 5/8	284T	23 5/8	284T	23 3/8	182T - 256T	182T - 326T		
27	1 7/16	1 7/16	1 1 1/16	A	B	A	F	B	F	1 7/16	E	E*	F	F	286T	326T	26 1/4	286T	25 1/4	286T	25 1/2	182T - 256T	182T - 326T		
30	1 7/16	1 7/16	1 1 5/16	A	B	A	F	D	F	1 7/16	F	F	F	F	326T	326T	28 3/4	326T	28 3/4	326T	28	213T - 286T	213T - 365T		
33	1 1 1/16	1 1 1/16	1 1 5/16	A	E	A	F	D	F	1 1 1/16	F	F	F	F	326T	—	31 1/4	326T	31 1/4	326T	30 1/2	254T - 326T	254T - 365T		
36	1 1 1/16	1 1 1/16	2 3/16	A	E	A	F	D	F	1 1 1/16	F	F	F	F*	326T	—	35 5/8	326T	35 5/8	326T	32 7/8	284T - 405T	284T - 405T		
40	1 5/16	1 5/16	2 3/16	A	D	A	F	D	F	1 5/16	F	F	F	F*	326T	—	38 1/4	326T	38 1/4	326T	35 1/2	324T - 405T	324T - 405T		
44	2 3/16	2 3/16	2 7/16	A	D	A	F	D	F	2 3/16	F	F	F	F*	326T	—	41 1/4	—	—	405T	39 1/4	324T - 405T	324T - 405T		
49	2 1 1/16	2 1 1/16	2 1 1/16	A	D	A	F	D	F	2 1 1/16	F	F	F	F*	326T	—	45 3/8	—	—	405T	43 3/8	324T - 405T	404T - 445T		
54	2 1 1/16	2 1 1/16	2 1 5/16	A	D	A	F	E	F	2 1 1/16	F	F	F	F*	—	—	—	—	—	405T	46 3/4	324T - 445T	404T - 449T		
60	2 1 1/16	2 1 1/16	2 1 5/16	A	D	A	F	E	F	2 1 1/16	F	F	F	F*	—	—	—	—	—	405T	51 1/4	—	404T - 449T		
66	2 1 1/16	2 1 1/16	3 7/16	A	F	A	F	F	F	2 1 1/16	F	F*	H	F*	—	—	—	—	—	445T	55 1/4	—	—		
73	3 7/16†	3 7/16†	3 7/16	A	F	A	F	F	F	3 7/16†	G	F*	H	F*	—	—	—	—	—	445T	63 3/8	—	—		

\* Arrangement 1 only. A-Link-Belt P3-U200, B-Sealmaster SPM, D-Sealmaster MPD, E-Link-Belt P-300, F-Link-Belt P-B22400, G-Link-Belt P-B6800, H-Link-Belt P-B6900. The right is reserved to substitute bearings of equal ratings. \*Denotes expansion bearing. † Turned down to 2 1 1/16 at inlet bearing.

BARE FAN WEIGHTS										ECF WEIGHTS AND WR <sup>2</sup>													
Size	Bare Fan Weight [Less Wheel]					ECF-9 Wheel								ECF-11 Wheel									
						Weight				WR <sup>2</sup>				Weight				WR <sup>2</sup>					
	Arr. 1, 3		Arr. 3T		Arr. 3R, 3L	Arr. 3V	Arr. 4	Arr. 1, 3, 3T, 3R, 3L, 3V		Arr. 4		Arr. 1, 3, 3T, 3R, 3L, 3V		Arr. 4		Arr. 1, 3, 3T, 3R, 3L, 3V		Arr. 4		Arr. 1, 3, 3T, 3R, 3L, 3V		Arr. 4	
	Class 1, 2	Class 3	Class 1, 2	Class 3	Class 1, 2	Class 1, 2	Class 2, 3	Class 1, 2	Class 3	Class 2	Class 3	Class 1, 2	Class 3	Class 2	Class 3	Class 1, 2	Class 3	Class 2	Class 3	Class 1, 2	Class 3	Class 2	Class 3
12	89	—	—	—	—	75	8.1	—	9.6	—	1.12	—	1.18	—	—	—	—	—	—	—	—	—	—
13	95	—	—	—	—	83	10	—	11.5	—	1.79	—	1.84	—	—	—	—	—	—	—	—	—	—
15	106	—	—	—	—	102	12	—	15	—	2.78	—	2.85	—	—	—	—	—	—	—	—	—	—
16	142	149	187	199	176	215	141	28	30	27	29	7.11	7.97	7.11	7.96	—	—	—	—	—	—	—	—
18	166	172	216	222	200	236	155	32	44	31	34	10.4	12.2	10.3	11.6	35	47	34	37	11.4	13.5	11.4	12.9
20	179	185	232	237	218	257	170	37	49	37	46	15.0	17.0	14.9	17.4	40	53	40	50	16.5	18.9	16.5	19.5
22	207	208	270	262	251	289	192	54	57	44	54	23.1	24.8	22.5	25.4	58	61	48	58	25.5	27.6	24.9	28.3
24	240	250	310	302	288	331	223	70	79	73	77	38.2	41.8	38.9	41.8	74	85	78	83	41.7	46.0	42.4	46.0
27	269	283	336	335	319	363	252	82	91	84	89	56.0	59.3	55.1	59.3	87	97	89	95	61.2	65.4	60.3	65.4
30	315	341	386	394	367	415	323	98	121	105	120	85.5	104	83.0	104	105	131	112	130	93.4	116	90.1	116
33	363	379	435	—	417	469	377	115	140	120	145	117	149	118	150	124	152	128	157	128	165	129	166
36	582	615	662	—	638	697	586	178	256	190	233	233	262	235	257	190	271	202	248	255	288	257	282
40	663	685	745	—	721	784	660	188	310	86	116	308	412	139	167	203	328	93	123	340	450	155	182
44	833	861	905	—	—	1127	923	258	356	108	139	504	604	215	254	277	378	117	147	552	660	237	275
49	988	1001	1061	—	—	1309	1329	347	556	144	204	842	990	370	418	371	583	154	214	918	1073	399	448
54	1144	1188	—	—	—	1488	1644	416	698	202	248	1252	1781	603	645	446	741	214	260	1366	1945	647	690
60	1318	1362	—	—	—	1689	1877	538	851	—	301	1930	2790	—	1001	575	905	—	316	2100	3037	—	1072
66	1523	1673	—	—	—	1952	—	834	1057	—	—	3696	4198	—	—	—	—	—	—	—	—	—	—
73	1865	1946	—	—	—	2334	—	1056	1229	—	—	5774	6082	—	—	—	—	—	—	—	—	—	—

Sizes 12, 13, and 15 Arr. 1 & 4 and Sizes 40-60 Arr. 4 wheels are aluminum as standard.

ACF WEIGHTS AND WR <sup>2</sup>																
Size	AcF								AcFQ							
	Weight				WR <sup>2</sup>				Weight			WR <sup>2</sup>				
	Arr. 1,3		Arr. 4		Arr. 1,3		Arr. 4		Arr. 1,3		Arr. 4		Arr. 1,3		Arr. 4	
	Class 1,2	Class 3	Class 2	Class 3	Class 1,2	Class 3	Class 2	Class 3	Class 1,2	Class 3	Class 2	Class 3	Class 1,2	Class 3	Class 2	Class 3
12	7	—	7	—	1.1	—	1.1	—	—	—	—	—	—	—	—	
13	10	—	10	—	1.8	—	1.8	—	—	—	—	—	—	—	—	
15	12	—	12	—	2.7	—	2.7	—	—	—	—	—	—	—	—	
16	27	29	27	29	7.0	8.0	7.0	8.0	—	—	—	—	—	—	—	
18	31	44	31	43	10	12	10	12	35	49	35	48	12	13	12	13
20	37	49	37	47	15	17	15	18	39	54	39	50	16	19	16	19
22	44	58	44	55	22	26	22	26	48	64	48	59	25	29	25	29
24	71	81	75	79	40	44	40	43	79	90	79	84	42	49	44	47
27	91	100	86	91	66	68	58	62	100	111	91	97	68	76	63	68
30	100	129	101	138	85	115	89	114	118	143	107	147	103	129	93	125
33	117	143	123	149	122	155	123	157	135	159	131	161	143	174	134	173
36	175	253	183	200	232	259	234	264	193	281	201	221	240	290	266	301
40	185	306	81	116	306	409	112	169	205	340	94	124	353	458	160	186
44	256	352	103	138	510	598	183	258	279	391	116	148	571	670	234	284
49	342	548	145	190	833	976	312	433	376	608	162	211	945	1093	397	485
54	410	689	204	244	1244	1765	643	706	452	765	225	271	1413	1977	689	791
60	512	838	—	294	1822	2764	—	982	583	930	—	327	2041	3096	—	1100
66	824	1040	—	—	3674	4160	—	—	904	1154	—	—	4184	4659	—	—
73	1058	1224	—	—	5833	6130	—	—	—	—	—	—	—	—	—	—

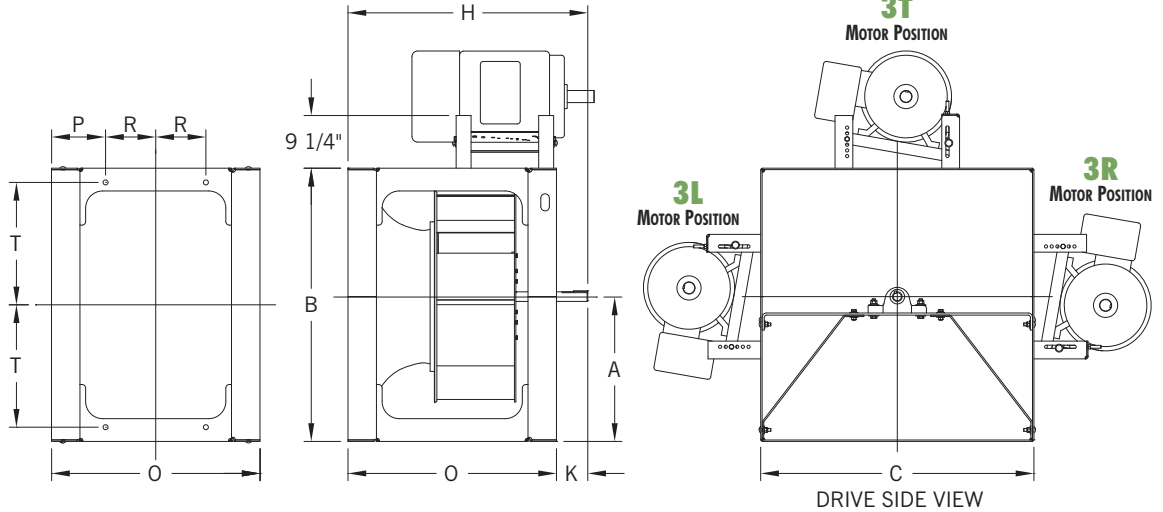
Plenum Fan Ecf Wheel Max Safe Speeds @ 70°			
Size	Ecf-9 and Ecf-11		
	Class 1	Class 2	Class 3
12	3625	4730	—
13	3205	4180	—
15	2810	3670	—
16	2505	3270	3960
18	2225	2900	3660
20	2050	2685	3390
22	1900	2480	3130
24	1725	2255	2840
27	1485	1940	2440
30	1335	1770	2195
33	1220	1590	2010
36	1070	1400	1770
40			

# DIMENSIONS

Dimensions not to be used for construction unless certified. [All dimensions in inches]

**ARRANGEMENT**  
**1, 3,**  
**3T, 3R,**  
**3L**

Sizes 12, 13, and 15 are Arrangement 1 design with both bearings mounted on the drive side.

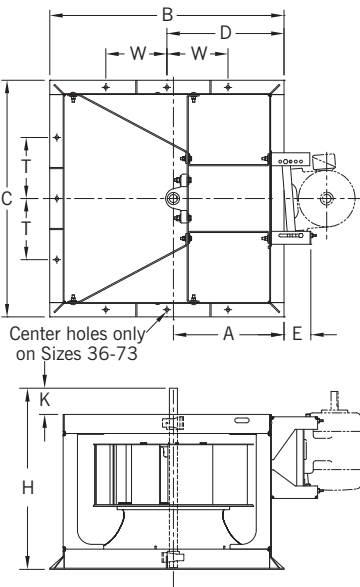


## DIMENSIONS [INCHES]

Size	A	B	C	H		K		O	P	R	T	Base holes
				Class 1, 2	Class 3	Class 1, 2	Class 3					
12	9 <sup>13</sup> / <sub>16</sub>	18	18	21 <sup>5</sup> / <sub>8</sub>	—	3	—	15 <sup>1</sup> / <sub>2</sub>	5	2 <sup>3</sup> / <sub>4</sub>	7 <sup>3</sup> / <sub>4</sub>	9/ <sub>16</sub>
13	10 <sup>13</sup> / <sub>16</sub>	19 <sup>3</sup> / <sub>4</sub>	19	22 <sup>1</sup> / <sub>8</sub>	—	3	—	16	5	3	8 <sup>1</sup> / <sub>4</sub>	9/ <sub>16</sub>
15	12	22	21	22 <sup>3</sup> / <sub>4</sub>	—	3	—	16 <sup>5</sup> / <sub>8</sub>	5 <sup>1</sup> / <sub>16</sub>	3 <sup>1</sup> / <sub>4</sub>	9 <sup>1</sup> / <sub>4</sub>	9/ <sub>16</sub>
16	13 <sup>1</sup> / <sub>4</sub>	24 <sup>5</sup> / <sub>16</sub>	23	22 <sup>1</sup> / <sub>4</sub>	23 <sup>1</sup> / <sub>4</sub>	3	4	19 <sup>1</sup> / <sub>4</sub>	6 <sup>1</sup> / <sub>2</sub>	3 <sup>5</sup> / <sub>8</sub>	10	9/ <sub>16</sub>
18	14 <sup>1</sup> / <sub>8</sub>	26	26	23 <sup>3</sup> / <sub>8</sub>	24 <sup>3</sup> / <sub>8</sub>	3	4	20 <sup>3</sup> / <sub>8</sub>	7	3 <sup>1</sup> / <sub>16</sub>	11 <sup>1</sup> / <sub>2</sub>	9/ <sub>16</sub>
20	15 <sup>1</sup> / <sub>2</sub>	28 <sup>7</sup> / <sub>16</sub>	27	25 <sup>1</sup> / <sub>4</sub>	26 <sup>1</sup> / <sub>4</sub>	3 <sup>1</sup> / <sub>2</sub>	4 <sup>1</sup> / <sub>2</sub>	21 <sup>3</sup> / <sub>4</sub>	6 <sup>1</sup> / <sub>2</sub>	4 <sup>7</sup> / <sub>8</sub>	12	9/ <sub>16</sub>
22	17 <sup>1</sup> / <sub>4</sub>	31 <sup>5</sup> / <sub>16</sub>	30	27 <sup>1</sup> / <sub>8</sub>	28 <sup>1</sup> / <sub>8</sub>	4	5	23 <sup>1</sup> / <sub>8</sub>	7	5 <sup>1</sup> / <sub>16</sub>	13 <sup>1</sup> / <sub>2</sub>	9/ <sub>16</sub>
24	19	34 <sup>3</sup> / <sub>4</sub>	33	30 <sup>1</sup> / <sub>8</sub>	30 <sup>5</sup> / <sub>8</sub>	4 <sup>1</sup> / <sub>2</sub>	5	25 <sup>5</sup> / <sub>8</sub>	6 <sup>3</sup> / <sub>4</sub>	6 <sup>9</sup> / <sub>16</sub>	15	3/ <sub>4</sub>
27	20 <sup>3</sup> / <sub>4</sub>	37 <sup>3</sup> / <sub>4</sub>	36	32 <sup>1</sup> / <sub>4</sub>	32 <sup>1</sup> / <sub>4</sub>	5	5	27 <sup>1</sup> / <sub>4</sub>	7 <sup>3</sup> / <sub>4</sub>	6 <sup>3</sup> / <sub>8</sub>	16 <sup>1</sup> / <sub>2</sub>	3/ <sub>4</sub>
30	21 <sup>1</sup> / <sub>4</sub>	40	40	35 <sup>1</sup> / <sub>4</sub>	34 <sup>3</sup> / <sub>4</sub>	5 <sup>1</sup> / <sub>2</sub>	5	29 <sup>3</sup> / <sub>4</sub>	7 <sup>1</sup> / <sub>2</sub>	7 <sup>3</sup> / <sub>8</sub>	18 <sup>1</sup> / <sub>2</sub>	3/ <sub>4</sub>
33	23 <sup>1</sup> / <sub>4</sub>	43 <sup>1</sup> / <sub>2</sub>	44	37 <sup>3</sup> / <sub>4</sub>	38 <sup>1</sup> / <sub>4</sub>	5 <sup>1</sup> / <sub>2</sub>	6	32 <sup>1</sup> / <sub>4</sub>	8 <sup>1</sup> / <sub>2</sub>	7 <sup>5</sup> / <sub>8</sub>	20 <sup>1</sup> / <sub>2</sub>	3/ <sub>4</sub>
36	25 <sup>7</sup> / <sub>16</sub>	48	48	43 <sup>1</sup> / <sub>8</sub>	42 <sup>5</sup> / <sub>8</sub>	6 <sup>1</sup> / <sub>2</sub>	6	36 <sup>5</sup> / <sub>8</sub>	9 <sup>1</sup> / <sub>2</sub>	8 <sup>13</sup> / <sub>16</sub>	21 <sup>1</sup> / <sub>2</sub>	7/ <sub>8</sub>
40	27 <sup>3</sup> / <sub>4</sub>	52	52	46 <sup>1</sup> / <sub>4</sub>	46 <sup>1</sup> / <sub>4</sub>	7	7	39 <sup>1</sup> / <sub>4</sub>	10 <sup>1</sup> / <sub>2</sub>	9 <sup>1</sup> / <sub>8</sub>	23 <sup>1</sup> / <sub>2</sub>	7/ <sub>8</sub>
44	30 <sup>11</sup> / <sub>16</sub>	57 <sup>11</sup> / <sub>16</sub>	58 <sup>1</sup> / <sub>8</sub>	49 <sup>3</sup> / <sub>4</sub>	49 <sup>1</sup> / <sub>4</sub>	7 <sup>1</sup> / <sub>2</sub>	7	42 <sup>1</sup> / <sub>4</sub>	10 <sup>1</sup> / <sub>2</sub>	10 <sup>5</sup> / <sub>8</sub>	27 <sup>1</sup> / <sub>4</sub>	7/ <sub>8</sub>
49	34	63 <sup>5</sup> / <sub>8</sub>	62	54 <sup>3</sup> / <sub>8</sub>	54 <sup>3</sup> / <sub>8</sub>	8	8	46 <sup>3</sup> / <sub>8</sub>	10 <sup>7</sup> / <sub>16</sub>	12 <sup>3</sup> / <sub>4</sub>	28 <sup>1</sup> / <sub>2</sub>	7/ <sub>8</sub>
54	37 <sup>1</sup> / <sub>2</sub>	69 <sup>3</sup> / <sub>4</sub>	68	58 <sup>1</sup> / <sub>4</sub>	58 <sup>1</sup> / <sub>4</sub>	8 <sup>1</sup> / <sub>2</sub>	8 <sup>1</sup> / <sub>2</sub>	49 <sup>3</sup> / <sub>4</sub>	10	14 <sup>7</sup> / <sub>8</sub>	31 <sup>1</sup> / <sub>2</sub>	1
60	41 <sup>3</sup> / <sub>8</sub>	77	75	63 <sup>1</sup> / <sub>4</sub>	62 <sup>3</sup> / <sub>4</sub>	9	8 <sup>1</sup> / <sub>2</sub>	54 <sup>1</sup> / <sub>4</sub>	10	17 <sup>1</sup> / <sub>8</sub>	35 <sup>1</sup> / <sub>2</sub>	1
66	45 <sup>1</sup> / <sub>2</sub>	84 <sup>5</sup> / <sub>8</sub>	81	67 <sup>3</sup> / <sub>4</sub>	68 <sup>1</sup> / <sub>4</sub>	9 <sup>1</sup> / <sub>2</sub>	10	58 <sup>1</sup> / <sub>4</sub>	11	18 <sup>3</sup> / <sub>8</sub>	38 <sup>1</sup> / <sub>2</sub>	1
73	50 <sup>3</sup> / <sub>8</sub>	93 <sup>1</sup> / <sub>2</sub>	91	75 <sup>3</sup> / <sub>8</sub>	75 <sup>3</sup> / <sub>8</sub>	10	10	65 <sup>3</sup> / <sub>8</sub>	12 <sup>1</sup> / <sub>16</sub>	20 <sup>5</sup> / <sub>8</sub>	43	1

Arrangement 1 available in Sizes 12, 13 and 15. Arrangement 3T available in Sizes 16 to 49. Arrangements 3R and 3L available in sizes 16 to 40.

**ARRANGEMENT**  
**3V**



## DIMENSIONS [INCHES]

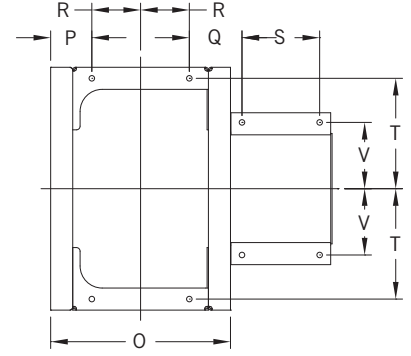
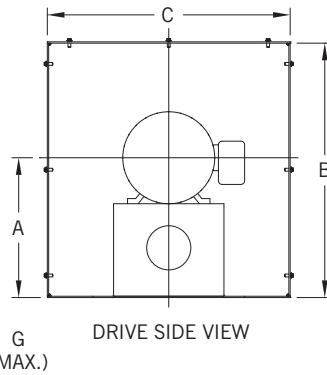
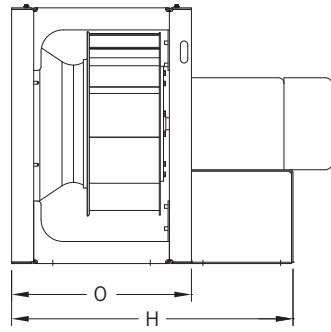
Size	A	B	C	D	E	H	K	T	W	Base holes
16	16 <sup>1</sup> / <sub>16</sub>	29 <sup>15</sup> / <sub>16</sub>	28 <sup>5</sup> / <sub>8</sub>	15	6 <sup>7</sup> / <sub>8</sub>	22 <sup>1</sup> / <sub>2</sub>	3	8 <sup>5</sup> / <sub>16</sub>	8 <sup>1</sup> / <sub>2</sub>	9/ <sub>16</sub>
18	16 <sup>15</sup> / <sub>16</sub>	31 <sup>3</sup> / <sub>8</sub>	31 <sup>5</sup> / <sub>8</sub>	15 <sup>13</sup> / <sub>16</sub>	6 <sup>7</sup> / <sub>8</sub>	23 <sup>3</sup> / <sub>8</sub>	3	7 <sup>13</sup> / <sub>16</sub>	7 <sup>13</sup> / <sub>16</sub>	9/ <sub>16</sub>
20	18 <sup>9</sup> / <sub>16</sub>	34 <sup>1</sup> / <sub>16</sub>	32 <sup>5</sup> / <sub>8</sub>	17	6 <sup>7</sup> / <sub>8</sub>	25 <sup>1</sup> / <sub>2</sub>	3 <sup>1</sup> / <sub>2</sub>	8 <sup>5</sup> / <sub>16</sub>	8 <sup>7</sup> / <sub>16</sub>	9/ <sub>16</sub>
22	20 <sup>1</sup> / <sub>16</sub>	36 <sup>15</sup> / <sub>16</sub>	35 <sup>5</sup> / <sub>8</sub>	18 <sup>1</sup> / <sub>2</sub>	6 <sup>7</sup> / <sub>8</sub>	27 <sup>3</sup> / <sub>8</sub>	4	9 <sup>13</sup> / <sub>16</sub>	9 <sup>13</sup> / <sub>16</sub>	9/ <sub>16</sub>
24	21 <sup>13</sup> / <sub>16</sub>	40 <sup>3</sup> / <sub>8</sub>	38 <sup>5</sup> / <sub>8</sub>	20 <sup>3</sup> / <sub>16</sub>	6 <sup>7</sup> / <sub>8</sub>	30 <sup>3</sup> / <sub>8</sub>	4 <sup>1</sup> / <sub>2</sub>	9 <sup>5</sup> / <sub>16</sub>	9 <sup>5</sup> / <sub>16</sub>	3/ <sub>4</sub>
27	23 <sup>9</sup> / <sub>16</sub>	43 <sup>7</sup> / <sub>16</sub>	41 <sup>5</sup> / <sub>8</sub>	21 <sup>3</sup> / <sub>4</sub>	6 <sup>7</sup> / <sub>8</sub>	32 <sup>1</sup> / <sub>2</sub>	5	10 <sup>13</sup> / <sub>16</sub>	10 <sup>13</sup> / <sub>16</sub>	3/ <sub>4</sub>
30	24 <sup>1</sup> / <sub>16</sub>	45 <sup>5</sup> / <sub>8</sub>	45 <sup>5</sup> / <sub>8</sub>	22 <sup>13</sup> / <sub>16</sub>	6 <sup>7</sup> / <sub>8</sub>	35 <sup>1</sup> / <sub>2</sub>	5 <sup>1</sup> / <sub>2</sub>	10 <sup>13</sup> / <sub>16</sub>	10 <sup>13</sup> / <sub>16</sub>	3/ <sub>4</sub>
33	26 <sup>1</sup> / <sub>16</sub>	49 <sup>1</sup> / <sub>4</sub>	49 <sup>5</sup> / <sub>8</sub>	24 <sup>5</sup> / <sub>8</sub>	6 <sup>7</sup> / <sub>8</sub>	38 <sup>1</sup> / <sub>2</sub>	6	12 <sup>13</sup> / <sub>16</sub>	12 <sup>13</sup> / <sub>16</sub>	3/ <sub>4</sub>
36	28 <sup>1</sup> / <sub>4</sub>	53 <sup>5</sup> / <sub>8</sub>	53 <sup>5</sup> / <sub>8</sub>	26 <sup>13</sup> / <sub>16</sub>	6 <sup>7</sup> / <sub>8</sub>	43 <sup>3</sup> / <sub>8</sub>	6 <sup>1</sup> / <sub>2</sub>	17 <sup>13</sup> / <sub>16</sub>	17 <sup>13</sup> / <sub>16</sub>	7/ <sub>8</sub>
40	30 <sup>9</sup> / <sub>16</sub>	57 <sup>5</sup> / <sub>8</sub>	57 <sup>5</sup> / <sub>8</sub>	28 <sup>13</sup> / <sub>16</sub>	6 <sup>7</sup> / <sub>8</sub>	46 <sup>1</sup> / <sub>2</sub>	7	17 <sup>13</sup> / <sub>16</sub>	17 <sup>13</sup> / <sub>16</sub>	7/ <sub>8</sub>
44	33 <sup>15</sup> / <sub>16</sub>	64 <sup>3</sup> / <sub>16</sub>	64 <sup>5</sup> / <sub>8</sub>	32 <sup>1</sup> / <sub>16</sub>	7	49 <sup>3</sup> / <sub>4</sub>	7 <sup>1</sup> / <sub>2</sub>	18 <sup>13</sup> / <sub>16</sub>	18 <sup>7</sup> / <sub>8</sub>	7/ <sub>8</sub>
49	37 <sup>1</sup> / <sub>4</sub>	70	68 <sup>1</sup> / <sub>2</sub>	35	7	54 <sup>3</sup> / <sub>8</sub>	8	20 <sup>3</sup> / <sub>4</sub>	20 <sup>7</sup> / <sub>8</sub>	7/ <sub>8</sub>
54	40 <sup>3</sup> / <sub>4</sub>	76 <sup>1</sup> / <sub>4</sub>	74 <sup>1</sup> / <sub>2</sub>	38 <sup>1</sup> / <sub>8</sub>	7	58 <sup>1</sup> / <sub>4</sub>	8 <sup>1</sup> / <sub>2</sub>	21 <sup>3</sup> / <sub>4</sub>	21 <sup>7</sup> / <sub>8</sub>	1
60	44 <sup>5</sup> / <sub>8</sub>	83 <sup>1</sup> / <sub>2</sub>	81 <sup>1</sup> / <sub>2</sub>	41 <sup>3</sup> / <sub>4</sub>	7	63 <sup>1</sup> / <sub>4</sub>	9	25 <sup>1</sup> / <sub>4</sub>	25 <sup>3</sup> / <sub>8</sub>	1
66	48 <sup>3</sup> / <sub>4</sub>	91 <sup>1</sup> / <sub>8</sub>	87 <sup>1</sup> / <sub>2</sub>	45 <sup>5</sup> / <sub>16</sub>	7	67 <sup>3</sup> / <sub>4</sub>	9 <sup>1</sup> / <sub>2</sub>	26 <sup>1</sup> / <sub>4</sub>	26 <sup>1</sup> / <sub>2</sub>	1
73	53 <sup>5</sup> / <sub>8</sub>	100	97 <sup>1</sup> / <sub>2</sub>	50	6 <sup>1</sup> / <sub>2</sub>	75 <sup>3</sup> / <sub>8</sub>	10	31 <sup>1</sup> / <sub>4</sub>	32	1

The New York Blower Company has a policy of continual product improvement and reserves the right to change designs and specifications without notice.

# DIMENSIONS

Dimensions not to be used for construction unless certified. [All dimensions in inches]

## ARRANGEMENT 4



### DIMENSIONS [INCHES]

Size	A	B	C	O	P	R	Base holes
12	9 <sup>13</sup> / <sub>16</sub>	18	18	15 <sup>1</sup> / <sub>4</sub>	5	2 <sup>5</sup> / <sub>8</sub>	9 <sup>1</sup> / <sub>16</sub>
13	10 <sup>13</sup> / <sub>16</sub>	19 <sup>3</sup> / <sub>4</sub>	19	15 <sup>13</sup> / <sub>16</sub>	5 <sup>3</sup> / <sub>16</sub>	2 <sup>3</sup> / <sub>4</sub>	9 <sup>1</sup> / <sub>16</sub>
15	12	22	21	16 <sup>9</sup> / <sub>16</sub>	5 <sup>1</sup> / <sub>4</sub>	3	9 <sup>1</sup> / <sub>16</sub>
16	13 <sup>1</sup> / <sub>4</sub>	24 <sup>5</sup> / <sub>16</sub>	23	18 <sup>7</sup> / <sub>16</sub>	5 <sup>5</sup> / <sub>8</sub>	3 <sup>5</sup> / <sub>8</sub>	9 <sup>1</sup> / <sub>16</sub>
18	14 <sup>1</sup> / <sub>8</sub>	26	26	19 <sup>3</sup> / <sub>8</sub>	6	3 <sup>11</sup> / <sub>16</sub>	9 <sup>1</sup> / <sub>16</sub>
20	15 <sup>1</sup> / <sub>2</sub>	28 <sup>7</sup> / <sub>16</sub>	27	20 <sup>13</sup> / <sub>16</sub>	5 <sup>5</sup> / <sub>8</sub>	4 <sup>13</sup> / <sub>16</sub>	9 <sup>1</sup> / <sub>16</sub>
22	17 <sup>1</sup> / <sub>4</sub>	31 <sup>5</sup> / <sub>16</sub>	30	22 <sup>5</sup> / <sub>16</sub>	6 <sup>1</sup> / <sub>8</sub>	5 <sup>1</sup> / <sub>16</sub>	9 <sup>1</sup> / <sub>16</sub>
24	19	34 <sup>3</sup> / <sub>4</sub>	33	24 <sup>7</sup> / <sub>16</sub>	5 <sup>3</sup> / <sub>4</sub>	6 <sup>1</sup> / <sub>2</sub>	3 <sup>4</sup> / <sub>4</sub>
27	20 <sup>3</sup> / <sub>4</sub>	37 <sup>3</sup> / <sub>4</sub>	36	26 <sup>1</sup> / <sub>4</sub>	6 <sup>13</sup> / <sub>16</sub>	6 <sup>5</sup> / <sub>16</sub>	3 <sup>4</sup> / <sub>4</sub>
30	21 <sup>1</sup> / <sub>4</sub>	40	40	30 <sup>1</sup> / <sub>2</sub>	7 <sup>1</sup> / <sub>2</sub>	7 <sup>3</sup> / <sub>4</sub>	3 <sup>4</sup> / <sub>4</sub>
33	23 <sup>1</sup> / <sub>4</sub>	43 <sup>1</sup> / <sub>2</sub>	44	33 <sup>1</sup> / <sub>8</sub>	8 <sup>9</sup> / <sub>16</sub>	8	3 <sup>4</sup> / <sub>4</sub>
36	25 <sup>7</sup> / <sub>16</sub>	48	48	37	10 <sup>1</sup> / <sub>2</sub>	8	7 <sup>8</sup> / <sub>8</sub>
40	27 <sup>3</sup> / <sub>4</sub>	52	52	39 <sup>1</sup> / <sub>8</sub>	10 <sup>1</sup> / <sub>2</sub>	9 <sup>1</sup> / <sub>16</sub>	7 <sup>8</sup> / <sub>8</sub>
44	30 <sup>11</sup> / <sub>16</sub>	57 <sup>11</sup> / <sub>16</sub>	58 <sup>1</sup> / <sub>8</sub>	42 <sup>1</sup> / <sub>4</sub>	10 <sup>7</sup> / <sub>8</sub>	10 <sup>1</sup> / <sub>4</sub>	7 <sup>8</sup> / <sub>8</sub>
49	34	63 <sup>5</sup> / <sub>8</sub>	62	45 <sup>1</sup> / <sub>2</sub>	11	11 <sup>3</sup> / <sub>4</sub>	7 <sup>8</sup> / <sub>8</sub>
54	37 <sup>1</sup> / <sub>2</sub>	69 <sup>3</sup> / <sub>4</sub>	68	49	11 <sup>1</sup> / <sub>2</sub>	13	1
60	41 <sup>3</sup> / <sub>8</sub>	77	75	53 <sup>3</sup> / <sub>8</sub>	12 <sup>3</sup> / <sub>16</sub>	14 <sup>1</sup> / <sub>2</sub>	1

### OPTIONAL INLET COLLAR DIMENSIONS

Size	L (OD)	Q	U
12	13 <sup>1</sup> / <sub>2</sub>	2 <sup>1</sup> / <sub>4</sub>	1 <sup>1</sup> / <sub>4</sub>
13	14 <sup>7</sup> / <sub>8</sub>	2 <sup>1</sup> / <sub>4</sub>	1 <sup>1</sup> / <sub>4</sub>
15	16 <sup>1</sup> / <sub>2</sub>	3 <sup>1</sup> / <sub>4</sub>	1 <sup>1</sup> / <sub>4</sub>
16	19	4 <sup>1</sup> / <sub>4</sub>	1 <sup>1</sup> / <sub>4</sub>
18	20 <sup>3</sup> / <sub>4</sub>	4 <sup>1</sup> / <sub>4</sub>	1 <sup>1</sup> / <sub>4</sub>
20	22 <sup>1</sup> / <sub>2</sub>	4 <sup>1</sup> / <sub>4</sub>	1 <sup>1</sup> / <sub>4</sub>
22	25 <sup>1</sup> / <sub>8</sub>	4 <sup>1</sup> / <sub>4</sub>	1 <sup>1</sup> / <sub>4</sub>
24	27 <sup>5</sup> / <sub>8</sub>	4 <sup>1</sup> / <sub>4</sub>	1 <sup>1</sup> / <sub>4</sub>
27	30 <sup>1</sup> / <sub>4</sub>	4 <sup>1</sup> / <sub>4</sub>	1 <sup>1</sup> / <sub>4</sub>
30	33 <sup>5</sup> / <sub>8</sub>	4 <sup>7</sup> / <sub>8</sub>	7 <sup>8</sup> / <sub>8</sub>
33	36 <sup>7</sup> / <sub>8</sub>	4 <sup>7</sup> / <sub>8</sub>	7 <sup>8</sup> / <sub>8</sub>
36	41	5 <sup>7</sup> / <sub>8</sub>	7 <sup>8</sup> / <sub>8</sub>
40	44 <sup>3</sup> / <sub>4</sub>	6 <sup>7</sup> / <sub>8</sub>	1 <sup>7</sup> / <sub>8</sub>
44	49 <sup>3</sup> / <sub>4</sub>	6 <sup>7</sup> / <sub>8</sub>	1 <sup>7</sup> / <sub>8</sub>
49	54 <sup>3</sup> / <sub>4</sub>	6 <sup>7</sup> / <sub>8</sub>	1 <sup>7</sup> / <sub>8</sub>
54	60 <sup>1</sup> / <sub>4</sub>	7	2
60	67	7	2
66	73 <sup>1</sup> / <sub>2</sub>	7	2*
73	81 <sup>1</sup> / <sub>2</sub>	9	4*

\* Class 3 U Dimension: Size 66 = 1", Size 73 = 3"

### DIMENSIONS [INCHES]

Size	Motor frame	G	H	Q	S	T	V
12	56	1 <sup>3</sup> / <sub>8</sub>	20 <sup>15</sup> / <sub>16</sub>	6 <sup>5</sup> / <sub>16</sub>	3		7
	143/145	2 <sup>5</sup> / <sub>8</sub>	22 <sup>1</sup> / <sub>4</sub>	6 <sup>9</sup> / <sub>16</sub>	4 <sup>1</sup> / <sub>4</sub>	7 <sup>3</sup> / <sub>4</sub>	7
	182/184	2	23 <sup>3</sup> / <sub>8</sub>	6 <sup>5</sup> / <sub>16</sub>	5 <sup>3</sup> / <sub>8</sub>		7
13	143/145	2 <sup>5</sup> / <sub>8</sub>	22 <sup>13</sup> / <sub>16</sub>	6 <sup>3</sup> / <sub>8</sub>	4 <sup>1</sup> / <sub>4</sub>		7
	182/184	2	23 <sup>15</sup> / <sub>16</sub>	6 <sup>3</sup> / <sub>8</sub>	5 <sup>3</sup> / <sub>8</sub>	8 <sup>1</sup> / <sub>4</sub>	7
	213/215	3 <sup>7</sup> / <sub>8</sub>	27 <sup>3</sup> / <sub>16</sub>	6 <sup>7</sup> / <sub>8</sub>	7 <sup>3</sup> / <sub>8</sub>		7
15	143/145	2 <sup>5</sup> / <sub>8</sub>	23 <sup>9</sup> / <sub>16</sub>	6 <sup>9</sup> / <sub>16</sub>	4 <sup>1</sup> / <sub>4</sub>		7
	182/184	2	24 <sup>11</sup> / <sub>16</sub>	6 <sup>9</sup> / <sub>16</sub>	5 <sup>3</sup> / <sub>8</sub>	9 <sup>1</sup> / <sub>4</sub>	7
	213/215	3 <sup>7</sup> / <sub>8</sub>	27 <sup>3</sup> / <sub>16</sub>	6 <sup>7</sup> / <sub>8</sub>	7 <sup>3</sup> / <sub>8</sub>		9
16	182/184	2	26 <sup>9</sup> / <sub>16</sub>	7 <sup>1</sup> / <sub>4</sub>	4 <sup>7</sup> / <sub>8</sub>		9 <sup>7</sup> / <sub>8</sub>
	213/215	3 <sup>7</sup> / <sub>8</sub>	29 <sup>1</sup> / <sub>16</sub>	7 <sup>1</sup> / <sub>4</sub>	7 <sup>3</sup> / <sub>8</sub>	10	9 <sup>7</sup> / <sub>8</sub>
	254/256	4 <sup>3</sup> / <sub>4</sub>	32 <sup>7</sup> / <sub>8</sub>	7 <sup>3</sup> / <sub>16</sub>	11 <sup>1</sup> / <sub>4</sub>		9 <sup>7</sup> / <sub>8</sub>
18	182/184	2	27 <sup>1</sup> / <sub>2</sub>	7 <sup>9</sup> / <sub>16</sub>	4 <sup>7</sup> / <sub>8</sub>		9
	213/215	3 <sup>7</sup> / <sub>8</sub>	30	7 <sup>9</sup> / <sub>16</sub>	7 <sup>3</sup> / <sub>8</sub>	11 <sup>1</sup> / <sub>2</sub>	9
	254/256	4 <sup>3</sup> / <sub>4</sub>	33 <sup>13</sup> / <sub>16</sub>	7 <sup>9</sup> / <sub>16</sub>	11 <sup>1</sup> / <sub>4</sub>		9
20	143/145	2 <sup>1</sup> / <sub>2</sub>	27 <sup>15</sup> / <sub>16</sub>	7 <sup>1</sup> / <sub>4</sub>	3 <sup>7</sup> / <sub>8</sub>		9 <sup>1</sup> / <sub>2</sub>
	182/184	2	28 <sup>15</sup> / <sub>16</sub>	7 <sup>1</sup> / <sub>4</sub>	4 <sup>7</sup> / <sub>8</sub>	12	9 <sup>1</sup> / <sub>2</sub>
	213/215	3 <sup>7</sup> / <sub>8</sub>	31 <sup>7</sup> / <sub>16</sub>	7 <sup>3</sup> / <sub>16</sub>	7 <sup>3</sup> / <sub>8</sub>		9 <sup>1</sup> / <sub>2</sub>
	254/256	4 <sup>3</sup> / <sub>4</sub>	35 <sup>1</sup> / <sub>4</sub>	7 <sup>3</sup> / <sub>16</sub>	11 <sup>1</sup> / <sub>4</sub>		9 <sup>1</sup> / <sub>2</sub>
22	143/145	2 <sup>1</sup> / <sub>2</sub>	29 <sup>7</sup> / <sub>16</sub>	7 <sup>11</sup> / <sub>16</sub>	3 <sup>7</sup> / <sub>8</sub>		9
	182/184	2	30 <sup>7</sup> / <sub>16</sub>	7 <sup>11</sup> / <sub>16</sub>	4 <sup>7</sup> / <sub>8</sub>		9
	213/215	3 <sup>7</sup> / <sub>8</sub>	32 <sup>15</sup> / <sub>16</sub>	7 <sup>11</sup> / <sub>16</sub>	7 <sup>3</sup> / <sub>8</sub>	13 <sup>1</sup> / <sub>2</sub>	9
	254/256	4 <sup>3</sup> / <sub>4</sub>	36 <sup>3</sup> / <sub>4</sub>	7 <sup>11</sup> / <sub>16</sub>	11 <sup>1</sup> / <sub>4</sub>		9
284/286TS	6 <sup>1</sup> / <sub>2</sub>	37 <sup>5</sup> / <sub>8</sub>	7 <sup>3</sup> / <sub>4</sub>	12		9	
24	182/184	2	32 <sup>9</sup> / <sub>16</sub>	7 <sup>5</sup> / <sub>16</sub>	4 <sup>7</sup> / <sub>8</sub>		9
	213/215	3 <sup>7</sup> / <sub>8</sub>	35 <sup>1</sup> / <sub>16</sub>	7 <sup>5</sup> / <sub>16</sub>	7 <sup>3</sup> / <sub>8</sub>	15	9
	254/256	4 <sup>3</sup> / <sub>4</sub>	38 <sup>7</sup> / <sub>8</sub>	7 <sup>5</sup> / <sub>16</sub>	11 <sup>1</sup> / <sub>4</sub>		9

Size	Motor frame	G	H	Q	S	T	V
27	182/184	2	34 <sup>3</sup> / <sub>8</sub>	8 <sup>3</sup> / <sub>8</sub>	4 <sup>7</sup> / <sub>8</sub>		9
	213/215	3 <sup>7</sup> / <sub>8</sub>	36 <sup>7</sup> / <sub>8</sub>	8 <sup>3</sup> / <sub>8</sub>	7 <sup>3</sup> / <sub>8</sub>	16 <sup>1</sup> / <sub>2</sub>	9
	254/256	4 <sup>3</sup> / <sub>4</sub>	40 <sup>11</sup> / <sub>16</sub>	8 <sup>3</sup> / <sub>8</sub>	11 <sup>1</sup> / <sub>4</sub>		9
30	213/215	3 <sup>7</sup> / <sub>8</sub>	40 <sup>1</sup> / <sub>8</sub>	9	6 <sup>3</sup> / <sub>8</sub>		9
	254/256	4 <sup>3</sup> / <sub>4</sub>	43 <sup>15</sup> / <sub>16</sub>	9	10 <sup>1</sup> / <sub>4</sub>	18 <sup>1</sup> / <sub>2</sub>	9
	284/286T	5 <sup>1</sup> / <sub>2</sub>	45 <sup>13</sup> / <sub>16</sub>	9 <sup>1</sup> / <sub>16</sub>	12		9
33	254/256	4 <sup>3</sup> / <sub>4</sub>	46 <sup>9</sup> / <sub>16</sub>	10 <sup>1</sup> / <sub>8</sub>	10 <sup>9</sup> / <sub>16</sub>		11 <sup>1</sup> / <sub>2</sub>
	284/286	5 <sup>1</sup> / <sub>2</sub>	48 <sup>7</sup> / <sub>16</sub>	10 <sup>1</sup> / <sub>8</sub>	12	20 <sup>1</sup> / <sub>2</sub>	11 <sup>1</sup> / <sub>2</sub>
	324/326	6 <sup>5</sup> / <sub>8</sub>	49 <sup>15</sup> / <sub>16</sub>	10 <sup>1</sup> / <sub>8</sub>	13 <sup>1</sup> / <sub>2</sub>		11 <sup>1</sup> / <sub>2</sub>
36	284/286	5 <sup>1</sup> / <sub>2</sub>	51 <sup>3</sup> / <sub>8</sub>	12 <sup>1</sup> / <sub>8</sub>	11		11 <sup>1</sup> / <sub>2</sub>
	324/326	6 <sup>5</sup> / <sub>8</sub>	52 <sup>15</sup> / <sub>16</sub>	12 <sup>1</sup> / <sub>8</sub>	12 <sup>5</sup> / <sub>8</sub>		11 <sup>1</sup> / <sub>2</sub>
	364/365	7 <sup>7</sup> / <sub>8</sub>	53 <sup>3</sup> / <sub>8</sub>	12 <sup>1</sup> / <sub>8</sub>	13	21 <sup>1</sup> / <sub>2</sub>	11 <sup>1</sup> / <sub>2</sub>
	404/405	4 <sup>1</sup> / <sub>2</sub>	56	10 <sup>1</sup> / <sub>2</sub>	15 <sup>1</sup> / <sub>8</sub>		11 <sup>1</sup> / <sub>4</sub>
40	324/326	6 <sup>5</sup> / <sub>8</sub>	55 <sup>1</sup> / <sub>16</sub>	12 <sup>1</sup> / <sub>16</sub>	12 <sup>5</sup> / <sub>8</sub>		11 <sup>1</sup> / <sub>2</sub>
	364/365	7 <sup>7</sup> / <sub>8</sub>	55 <sup>1</sup> / <sub>2</sub>	12 <sup>1</sup> / <sub>8</sub>	13	23 <sup>1</sup> / <sub>2</sub>	11 <sup>1</sup> / <sub>2</sub>
	404/405	4 <sup>1</sup> / <sub>2</sub>	58 <sup>1</sup> / <sub>8</sub>	10 <sup>1</sup> / <sub>2</sub>	15 <sup>1</sup> / <sub>2</sub>		11 <sup>1</sup> / <sub>4</sub>
44	324 - 405	4 <sup>1</sup> / <sub>2</sub>	61 <sup>1</sup> / <sub>4</sub>	10 <sup>7</sup> / <sub>8</sub>	16	27 <sup>1</sup> / <sub>4</sub>	11 <sup>1</sup> / <sub>4</sub>
49	324 - 445	4 <sup>1</sup> / <sub>2</sub>	72 <sup>3</sup> / <sub>8</sub>	11	21 <sup>3</sup> / <sub>4</sub>	28 <sup>1</sup> / <sub>2</sub>	14 <sup>1</sup> / <sub>2</sub>
54	324 - 445	4 <sup>1</sup> / <sub>2</sub>	75 <sup>7</sup> / <sub>8</sub>	11 <sup>1</sup> / <sub>2</sub>	22 <sup>1</sup> / <sub>2</sub>	31 <sup>1</sup> / <sub>2</sub>	14 <sup>1</sup> / <sub>2</sub>
	447/449	6 <sup>1</sup> / <sub>2</sub>	84 <sup>1</sup> / <sub>4</sub>	11 <sup>1</sup> / <sub>2</sub>	28 <sup>5</sup> / <sub>8</sub>		14 <sup>1</sup> / <sub>2</sub>
60	404 - 445	4 <sup>1</sup> / <sub>2</sub>	80 <sup>1</sup> / <sub>4</sub>	12 <sup>3</sup> / <sub>16</sub>	23	35 <sup>1</sup> / <sub>2</sub>	14 <sup>1</sup> / <sub>2</sub>
	447/449	6 <sup>1</sup> / <sub>2</sub>	88 <sup>5</sup> / <sub>8</sub>	12 <sup>3</sup> / <sub>16</sub>	29 <sup>5</sup> / <sub>8</sub>		14 <sup>1</sup> / <sub>2</sub>